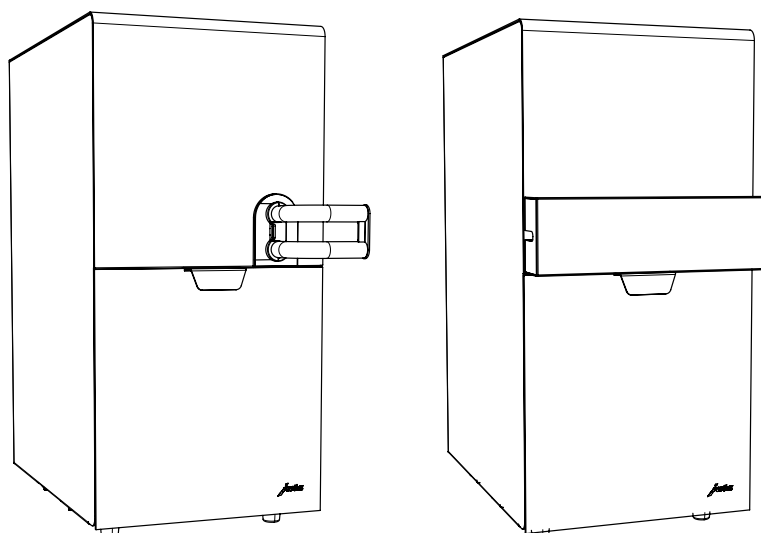


Technical documentation

Compressor Cooler Pro



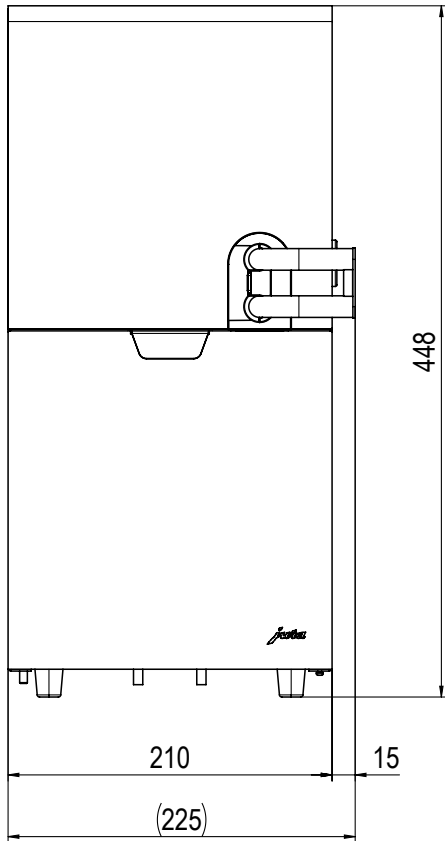
Supplied as standard

- Compressor Cooler Pro
- Instructions for use
- Milk container with cover
- Cleaning container with cover
- Mains cable
- Docking cartridge (fitted)
- Milk pipe (2x)
- Riser pipes
- Front cover for IMPRESSA X9
 - with cover (chrome-plated)
- Front cover for IMPRESSA X7
- Milk sensor
- Mini-Hub
- RS232 cable
- Connecting cable

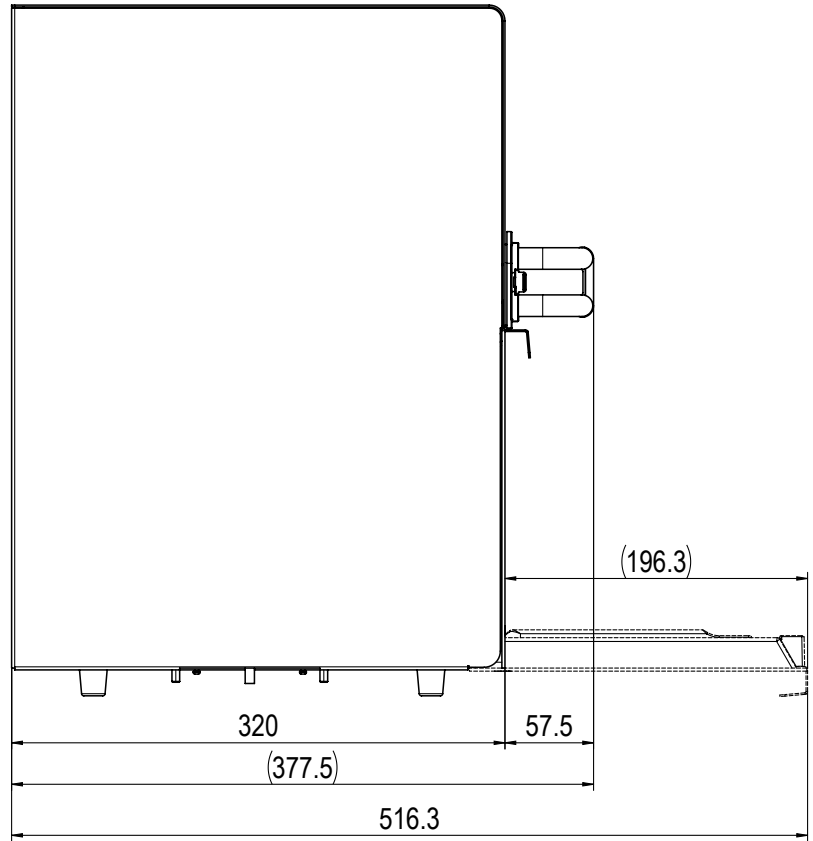
Accessory

- Milk pipe cover (Art. 70085)

Dimensions

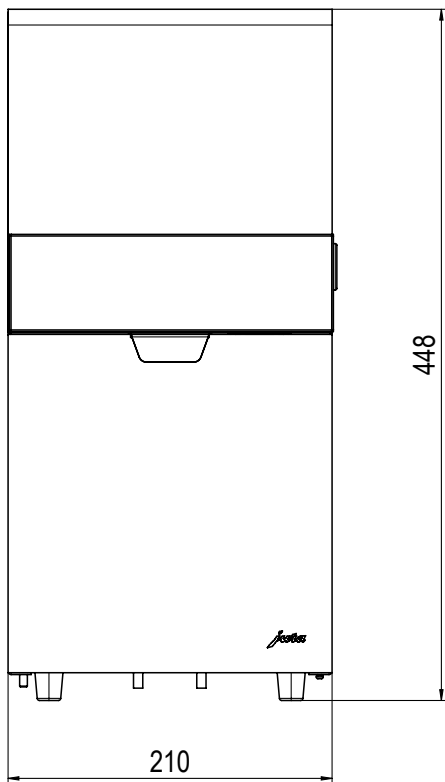


Outline

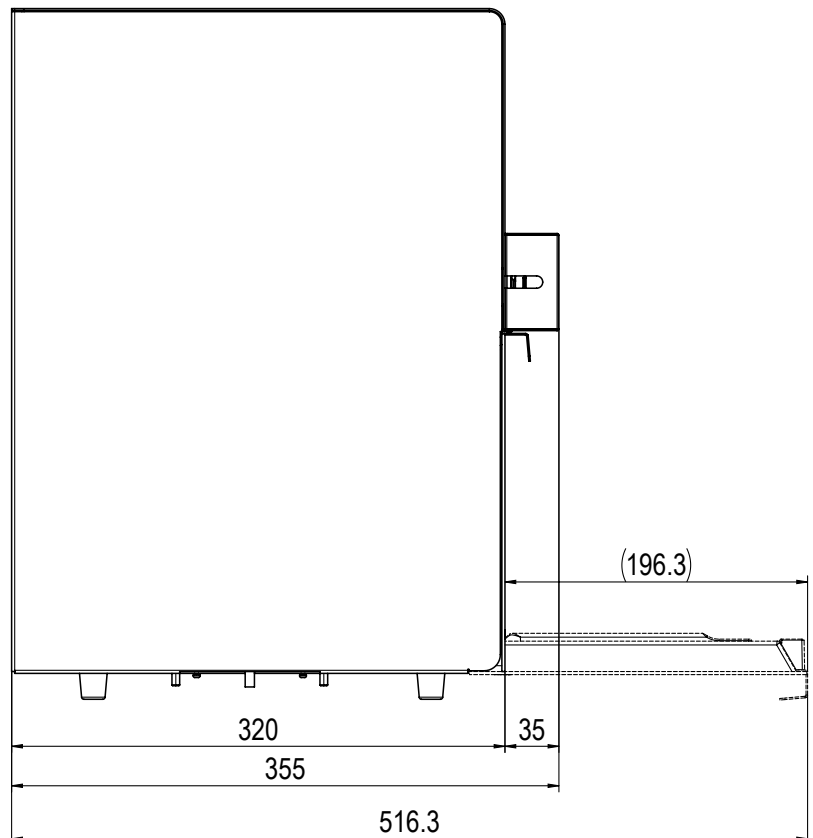


Side outline

Dimensions (Milk pipe cover (Art. 70085))



Outline



Side outline