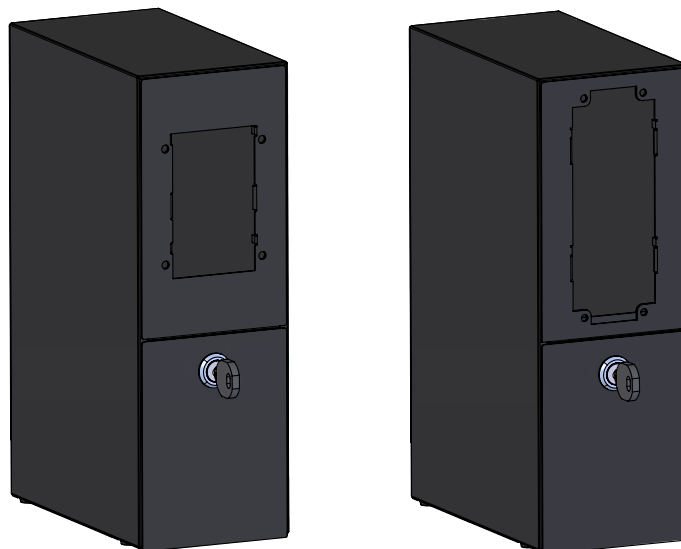


## Technical documentation

### Smart Payment Box



#### Supplied as standard

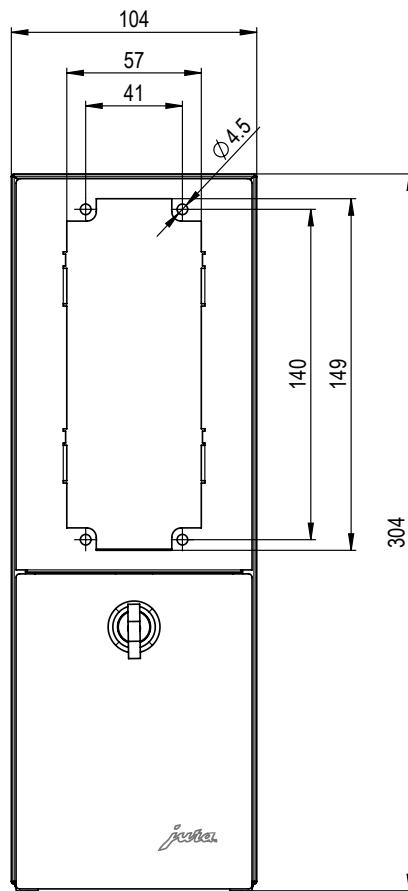
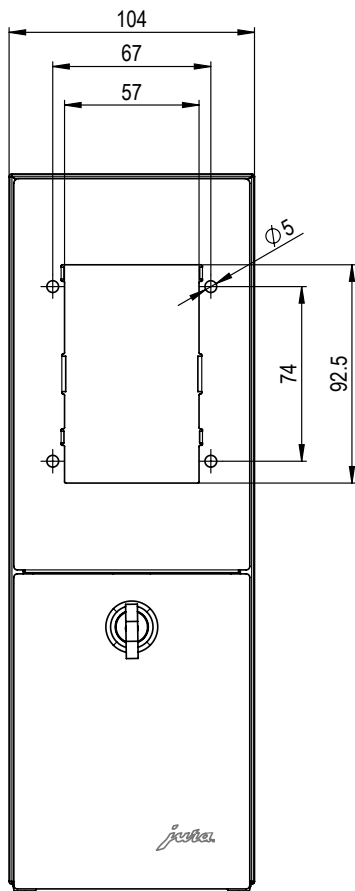
- Housing (with built-in MDB interface)
- Holder for Nayax VPOS accounting system
- 2 keys
- Coin box
- Mains adapter
- Mains cable with mains plug
- RS232 cable
- USB cable
- Transmitter with RS232 connecting cable
- Dummy cover
- PC software for Smart Payment Box

#### Compatibility

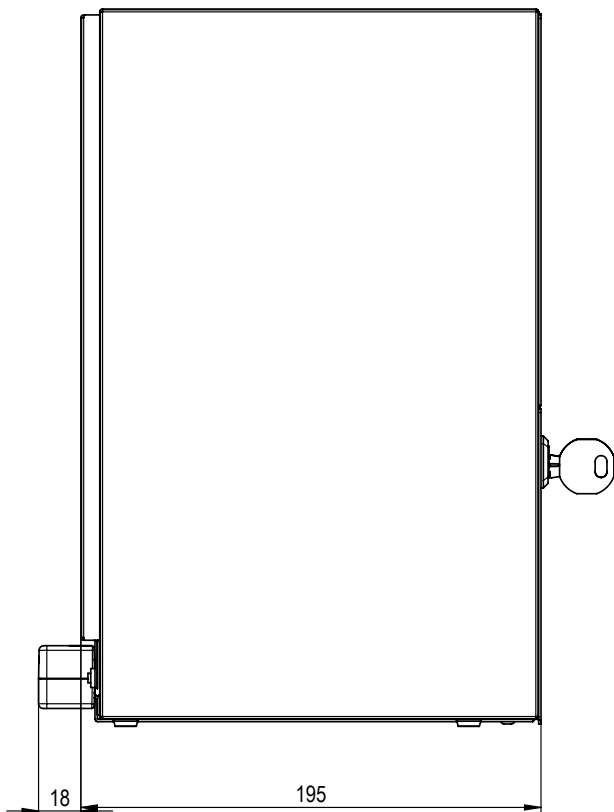
The Smart Payment Box is compatible with all professional models of the W, GIGA and X lines (except IMPRESSA X30/X7/X70/X95/X90 and Xs95/Xs90 avantgarde). Please note that not all available accounting systems are compatible with the Smart Payment Box. The Smart Payment Box has been tested with the following accounting systems:

- NRI G-13 Coin Validator
- Hug-Witschi DIVA2
- PBV Kaufmann Mifare Vending Reader VR1
- Microtronic Mlight5 Reader
- Microtronic Mlight3 Reader
- Microtronic Msmart5 V7
- PAYTEC/Fage Oscar/Giody
- Evis Legic Gecko
- Dallmayr Card System Ultimo
- Nayax VPOS

# Dimensions



Outline



Side outline